

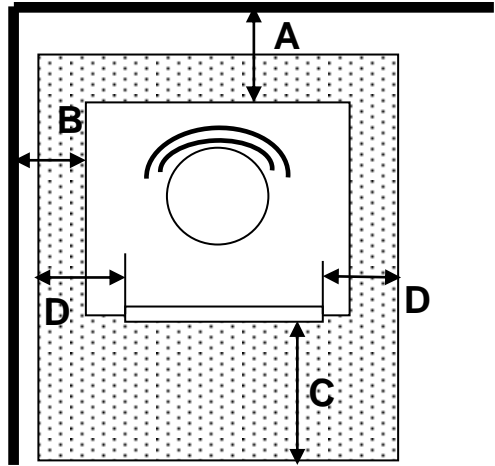
## Clearance Test Summary.

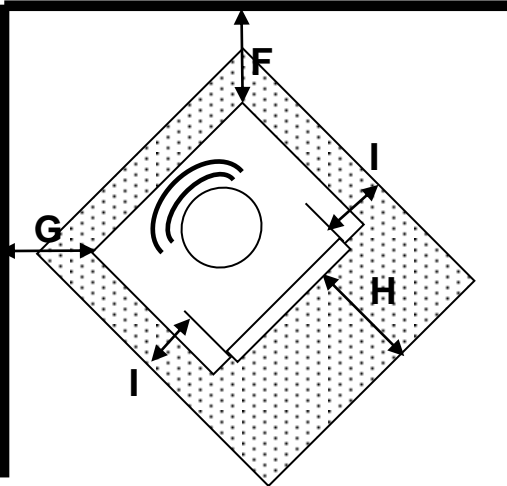
### Client Details:

Company Name: Glen Dimplex New Zealand Ltd.  
 Company Address: 38 Harris Rd, East Tamaki, Auckland.  
 Phone: +64 9 274 8265.

**Test Report number:** #0517a.  
**Appliance:** R3000 (Pedestal, Ash, Leg and Wood Stacker).  
**Tested Standard:** AS/NZS 2918:2001 – Appendix B.  
**Test Fuel:** Softwood (Pinus Radiata).  
**Flue System:** 150 mm painted stainless steel with 1220 mm Masport stainless double flue shield, a 50 mm air gap was maintained from the cooktop to the shield.  
**Floor Protector:** Minimum to be installed as per clause 3.3.2 of AS/NZS2918:2001.

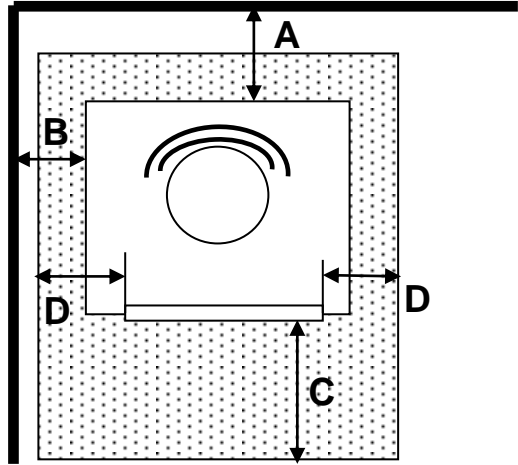
### Test Results for High/Flash fire (Leg, Ash and Pedestal):

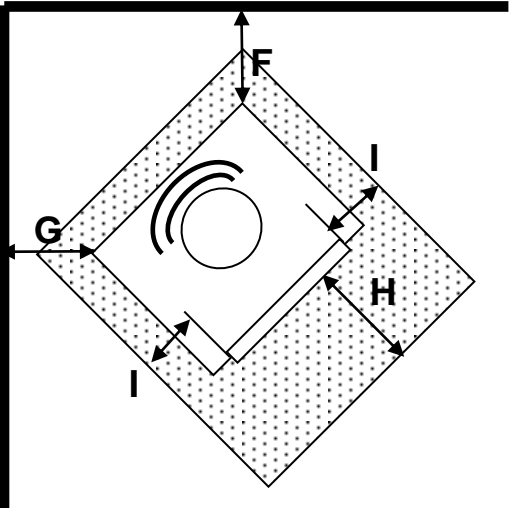
Parallel Position Clearance Distance (Leg, Ash, Pedestal and Wood Stacker)	Position	Clearance (mm)
	(A) Rear	90
	(B) Side	300
	(C) Floor protector (front)	300
	(D) Floor protector (side)	200

Corner Position Clearance Distance (Leg, Ash, Pedestal and Wood Stacker)	Position	Clearance (mm)
	(F) Side	100
	(G) Side	100
	(H) Floor protector (front)	300
	(I) Floor protector (side)	200

**Test Report number:** #0517a.  
**Appliance:** R3000 (Pedestal, Ash, Leg and Wood Stacker).  
**Tested Standard:** AS/NZS 2918:2001 – Appendix B.  
**Test Fuel:** Softwood (Pinus Radiata).  
**Flue System:** 150 mm painted stainless steel with 900 mm Masport stainless double flue shield, a 50 mm air gap was maintained from the cooktop to the shield.  
**Floor Protector:** Minimum to be installed as per clause 3.3.2 of AS/NZS2918:2001.

**Test Results for High/Flash fire:**

Parallel Position Clearance Distance (Leg, Ash, Pedestal and Wood Stacker)	Position	Clearance (mm)
	(A) Rear	80
	(B) Side	230
	(C) Floor protector (front)	300
	(D) Floor protector (side)	200

Corner Position Clearance Distance (Leg, Ash, Pedestal and Wood Stacker)	Position	Clearance (mm)
	(F) Side	100
	(G) Side	100
	(H) Floor protector (front)	300
	(I) Floor protector (side)	200

Checked by  
 Mr. P. Sparrow  
 Authorized Signatory

Tested by  
 Mr. P. Chen  
 Compliance Engineer

Issue Date: 28/11/2018